

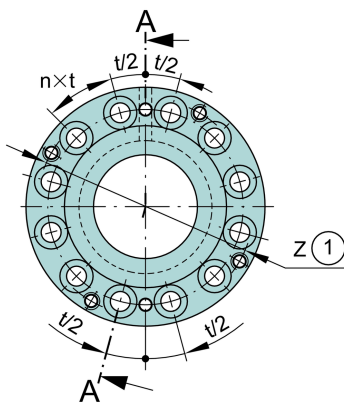
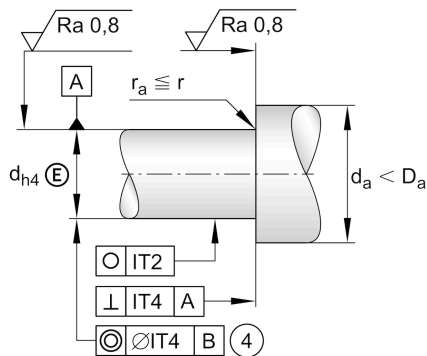
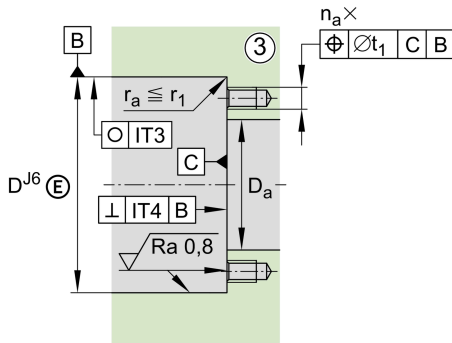
## ZARF3080-TV

### Needle roller/axial cylindrical roller bearing

Schaeffler ID:  
0016823180000

Needle roller/axial cylindrical roller bearings ZARF, double direction, for screw mounting

#### Technical information

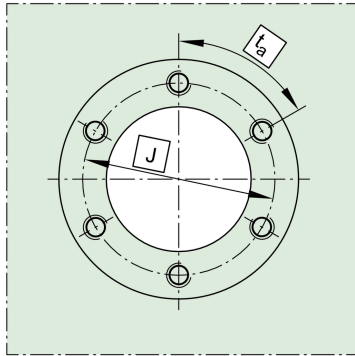
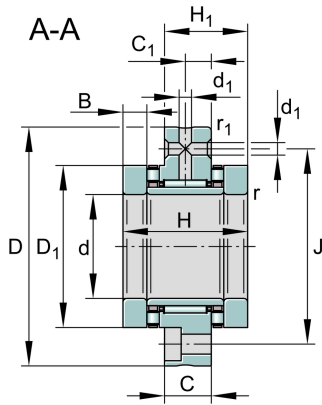


#### Main Dimensions & Performance Data

d	30 mm	Bore diameter
D	80 mm	Outside diameter
H	50 mm	Height
$C_r$	24,300 N	Basic dynamic load rating, radial
$C_{0r}$	41,500 N	Basic static load rating, radial
$C_a$	39,000 N	Basic dynamic load rating, axial
$C_{0a}$	101,000 N	Basic static load rating, axial
$C_{ur}$	6,000 N	Fatigue load limit, radial
$C_{ua}$	8,500 N	Fatigue load limit, axial
$n_{G \text{ Grease}}$	1,800 1/min	Limiting speed for grease lubrication
$n_{G \text{ Oil}}$	5,500 1/min	Limiting speed for oil lubrication
$M_{RL}$	0.65 Nm	Bearing friction torque
	0.756 kg	Weight

#### Dimensions

$H_1$	33 mm	Height outer ring over wave washer
$c_{aL}$	2,200 N/ $\mu\text{m}$	Rigidity axial
$c_{kL}$	520 Nm/mrad	Tilting stiffness
C	18 mm	Width, outer ring
	1 $\mu\text{m}$	Axial runout
$C_1$	10 mm	Distance to lubrication hole
$D_1$	52 mm	Rip diameter shaft washer
$M_A$	32 Nm	Tightening torque nut
	10,662 N	Preload force axial
B	10 mm	Width, inner ring
$r_{\text{min}}$	0.3 mm	Minimum chamfer dimension
$r_{1 \text{ min}}$	0.6 mm	Minimum chamfer dimension
$d_1$	3.2 mm	Diameter lubrication hole
J	63 mm	Pitch circle diameter (holes)
$n \times t$	30 °	Split
$t_1$	0.1 mm	Position bore in the housing



### Mounting dimensions

$D_{a \max}$	53 mm	Maximum diameter of housing shoulder
$d_{a \min}$	44 mm	Minimum diameter shaft shoulder
	ZMA30/52	Locknut 1
	AM30	Locknut 2
n	12	Number (screwing holes)
	M6	Screw size
$M_M$	1.46 kg * cm <sup>2</sup>	Mass moment of inertia
n	12	Number of screws
na x ta	30 °	Division (screwing holes)